



Northern Power[®] 100

Reliable and Proven, High Output Wind Turbine

Wind Energy with *Confidence*



Best in class track record, highest energy production, safest turbine

The Northern Power Systems 100kW turbine is well-matched for municipalities, schools, commercial farms and business campuses. Its physical size makes it suitable for both rural and urban areas.

The Northern Power 100 has a flawless track record of surviving extreme winds, from the bitter colds of Alaska to the hurricanes of the Caribbean. Its advanced technology and over 2 million hours of cumulative run time makes them the most reliable and proven turbines in their class.

»»**The right amount of power:** One 100kW turbine – or a cluster of two or three – can be used to meet energy needs.

»»**Two models, each optimized to generate the highest output in different wind regimes:**

- The NPS 100-21 is designed for high wind sites and is also available in an Arctic version for lower temperatures.
- The NPS 100-24 is designed to deliver optimal power generation in low to moderate wind speeds.

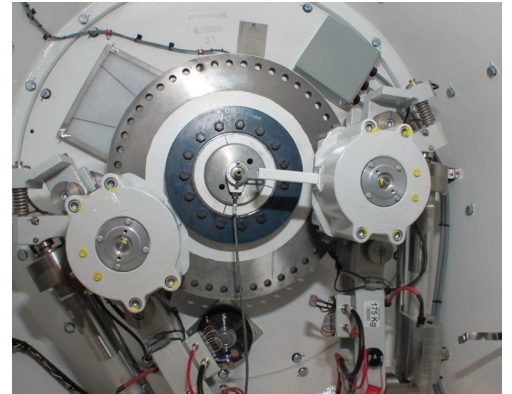
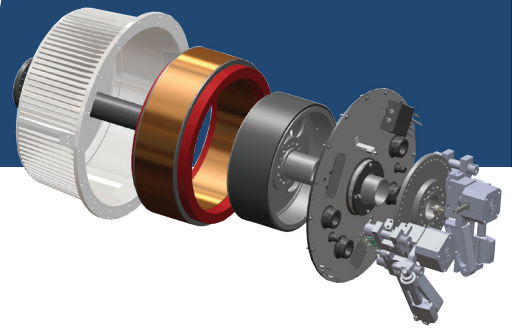
»»**Plug and play:** Our state of the art power converter design provides smooth, clean power to local grids, which simplifies grid connection.

»»**Easier permitting:** Low visual impact, three tower height options, and quiet performance.

»»**Reliability and peace of mind:** Our robust, reliable design coupled with our 2 year factory warranty, 24x7 system monitoring and local service assure continued performance.



Robust Design



More energy... less maintenance.

Northern Power 100's innovative gearless design and time-tested reliability means more energy and less maintenance. We offer the most reliable small wind turbines with hundreds of units successfully operating on four continents around the world.

»»**Robust:** The Hurricane Resistant™ Northern Power 100 regularly faces hurricane force winds in Alaska and the Caribbean and stands up to the strong winds of Scotland, the windiest country in Europe.

»»**Reliable:** Reinforced blades, gearless design and a track record of ZERO incidents across its entire fleet make Northern Power turbines the most reliable small wind turbines available today.

»»**Technologically Advanced:** An engineering advancement in simplicity and precision, our PMDD gearless direct-drive technology maximizes energy capture, outperforms conventional gearbox designs, and reduces maintenance costs.

»»**Turn it on and go back to work:** Our turbine is designed for ultimate reliability, so you don't have to be in the utility business or hire a team of full-time professionals to reap all the benefits of wind power.



29 Pitman Road
Barre, VT, USA 05641
+1.802.461.2955

281 Winter Street, Suite 120
Waltham, MA, USA 02451
+1.617.871.6065

Thurgauerstrasse 40
8050 Zurich, Switzerland
+41.44.307.3733

WWW.NORTHERNPOWER.COM

PRODUCTINFO@NORTHERNPOWER.COM